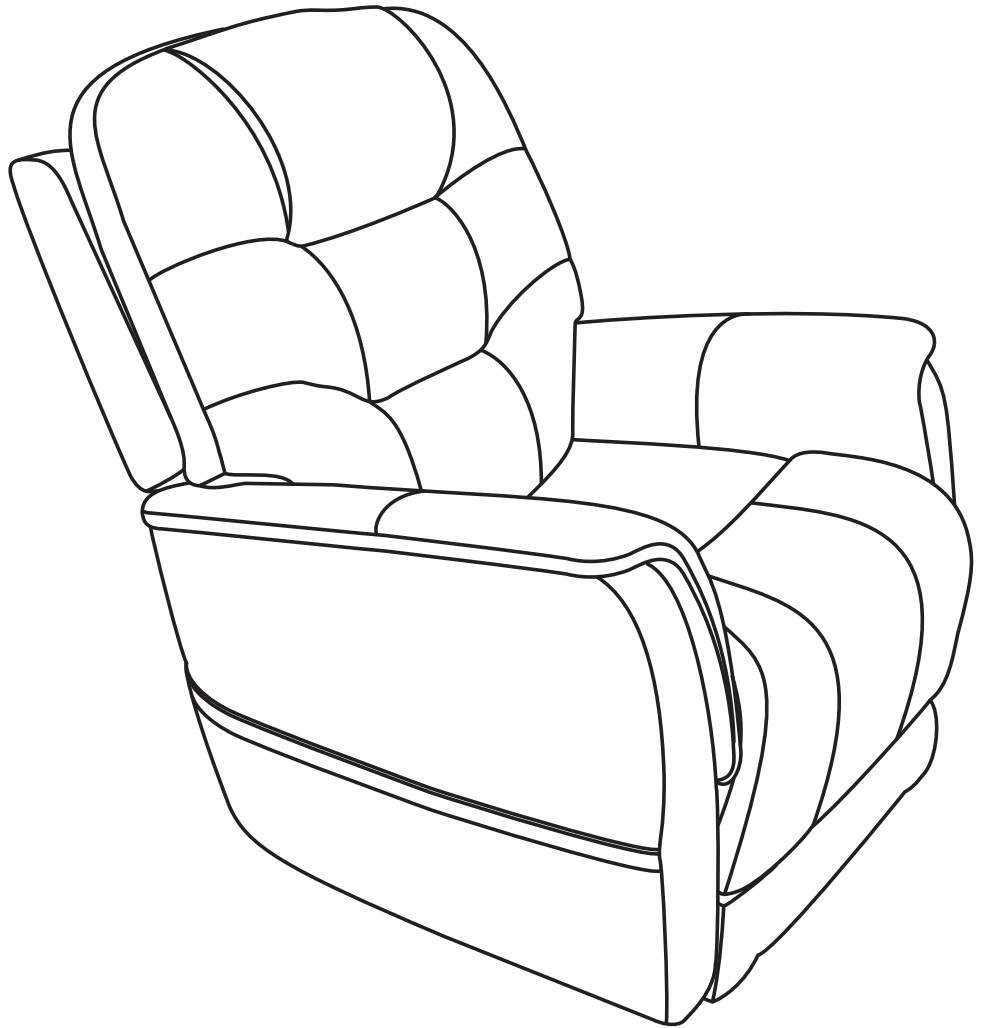
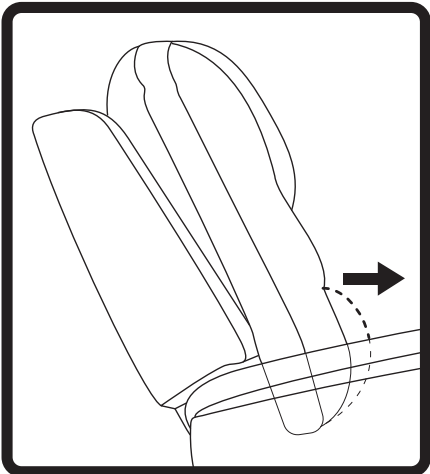
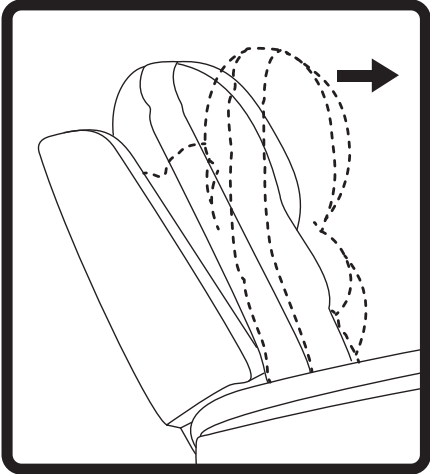




M **MEGA**
MOTION[®]
PRODUCTS FOR **BETTER LIVING**



NOTE: This quick reference guide offers basic hand control functions, general care instructions, basic assembly information, warranty information, and weight capacity information for your chair. Before operating the chair, thoroughly read the owner's manual and all other supplemental documents for information on safety, basic operation, and care and maintenance.

The illustrations reflect those hand controls with the highest level of functionality. The hand control you receive may have fewer options, but basic functionality is the same.

The premier feature of the Mega Motion Lift Chair is that you have the ability to adjust your feet and back independently to achieve your perfect position. For example, the seat back can recline until it is horizontal to the floor. To achieve this, press and hold button "8" (as shown in **figure 1**) until it is fully reclined.

HAND CONTROL IDENTIFICATION KEY

1. USB PORT

Use to connect to/charge USB enabled devices.

2. HEADREST IN BUTTON

Press and hold to move headrest in.

3. HEADREST OUT BUTTON

Press and hold to move headrest out.

4. LUMBAR SUPPORT IN BUTTON

Press and hold to move lumbar support in.

5. LUMBAR SUPPORT OUT BUTTON

Press and hold to move lumbar support out.

6. UP BUTTON

Press and hold to return all chair power options to the neutral position, while lifting you into an upright position.

Follow these steps to properly stand up from your chair:

1. Activate and hold the UP button (switch) to raise your chair.
2. Release the button (switch) when the chair reaches a height where you can stand up comfortably.

WARNING! Do not attempt to stand up until you can stand safely, are steady on your feet, and can bear weight. We recommend the use of assistance aids and/or an attendant for enhanced stability.



WARNING! Avoid putting all of your weight on the chair armrests when attempting to stand and do not use the armrests for weight bearing purposes.

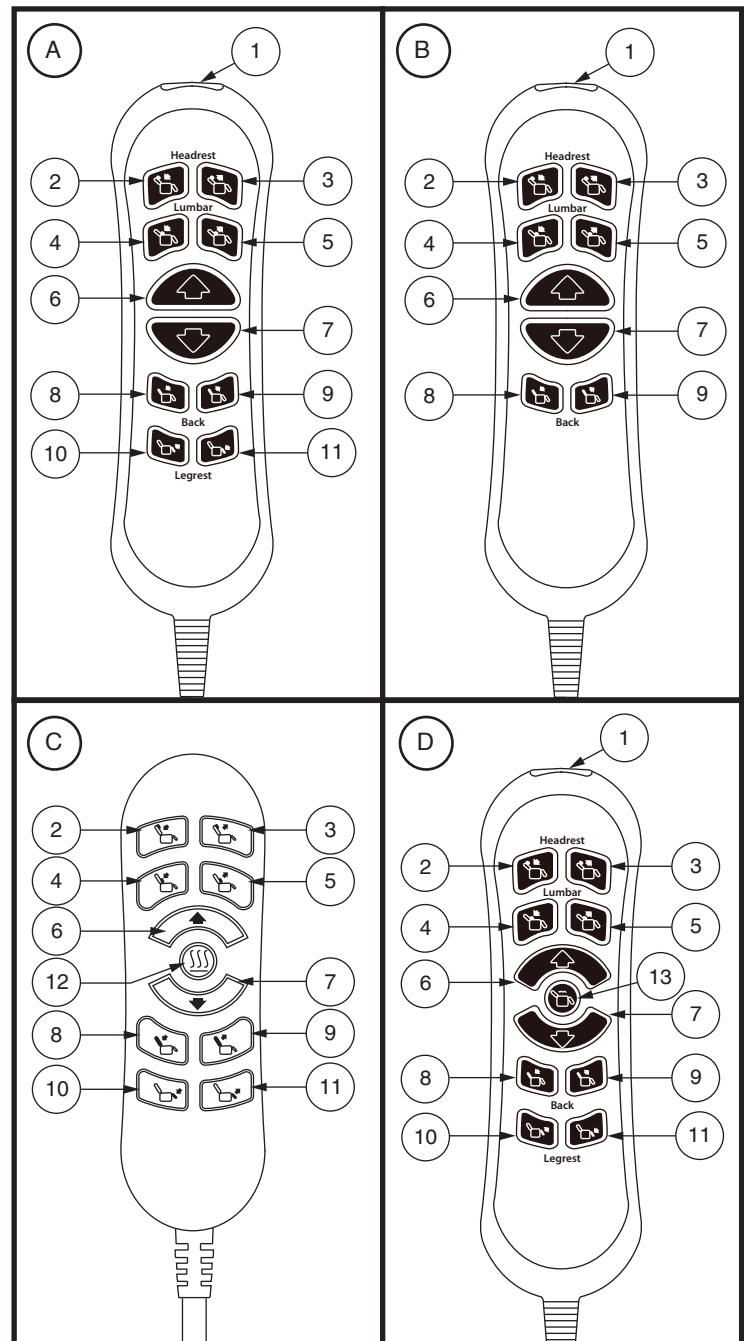


Figure 1. Hand Control - Styles A, B, C, and D

7. DOWN BUTTON

Press and hold to lower chair to seated or reclined position.

8. SEATBACK RECLINE BUTTON

Press and hold to recline the seatback.

9. SEATBACK INCLINE BUTTON

Press and hold to raise the seatback.

10. LEG REST UP BUTTON

Press and hold to raise the leg rest.

11. LEG REST DOWN BUTTON

Press and hold to lower the leg rest.

12. HEAT BUTTON (IF EQUIPPED)

Press the heat button to activate the heat function. Press the heat button again to turn off the heat function.

13. AIR MASSAGE BUTTON (IF EQUIPPED)

Press the air massage button once to activate the gentle pressure massage setting (indicated by a green light) or twice to activate the high pressure massage setting (indicated by a red light). Press the air massage button again to turn off the massage function.

FABRIC CARE INSTRUCTIONS

The fabric covering this piece of furniture is very durable for everyday living. Clean with only water-based shampoo or foam upholstery cleaner. Do not over wet. Do not use solvents to spot clean. Lightly scrubbing will help with any tougher spots that may have developed. Always check a small spot of fabric in an area that is unseen to be sure the cleaning agent being used will not discolor or fade the fabric's finishing. Let the chair air dry and vacuum for the best result.

CHAIR ASSEMBLY

Once the chair has been removed from the box, you'll notice the back is lying on the top of the seat. Follow the steps below:

1. Some models have back wings that attach to the back. When unpacking your chair you will find these back wings packed in the back of the chair base. Unpack the back wings and set them aside for later installation.
2. Locate the plastic bag that contains the power transformer, power cord, and the hand control. This can be done by turning the base over on its arms. You will see the plastic bag tied to the inside of the unit. Carefully cut the ties that hold the bag and remove it. Dispose of the ties and bag properly.
3. Remove the hand control from the plastic bag and connect it to the female plug located in the rear of the chair. **See figure 2.**

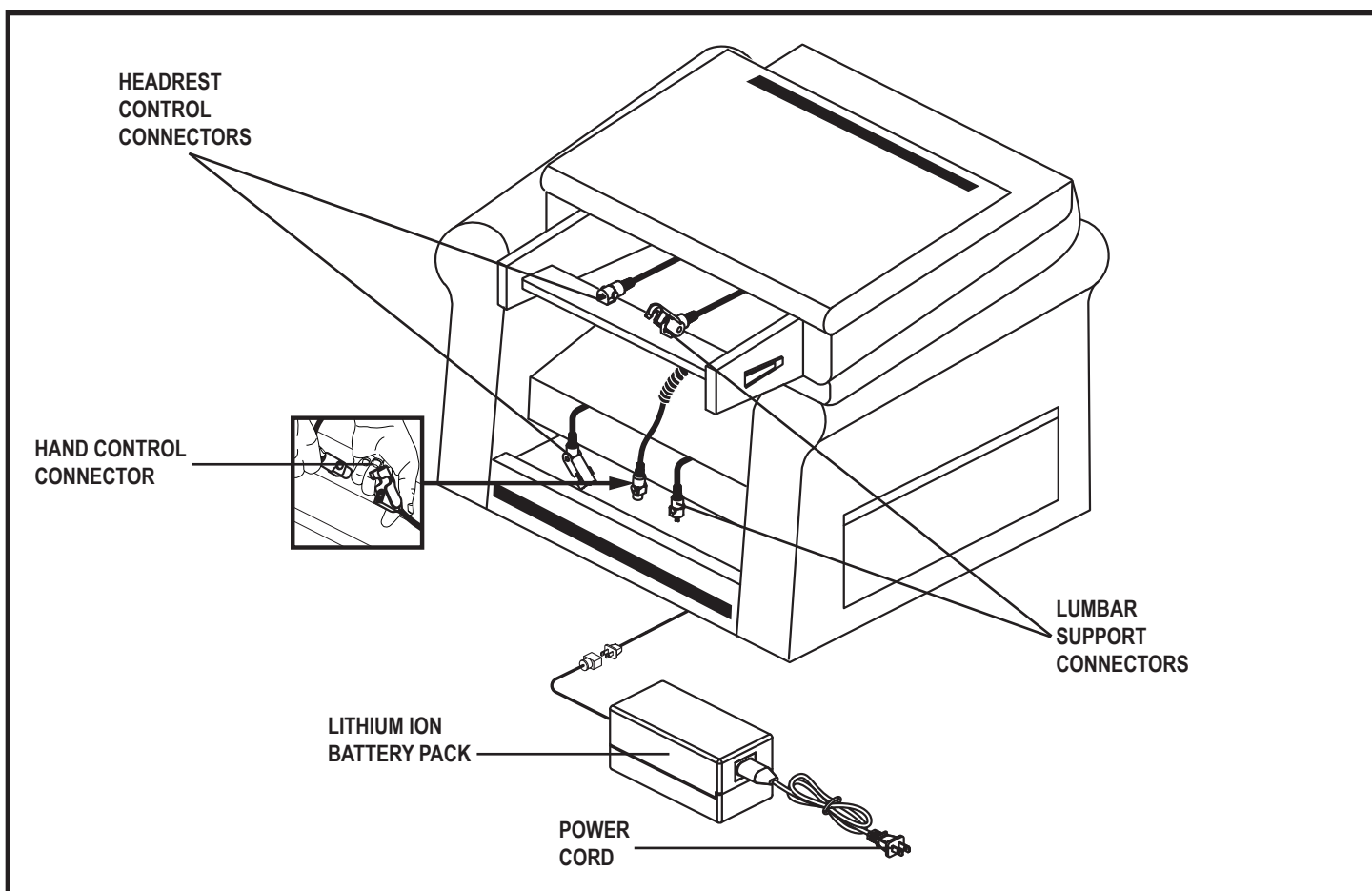


Figure 2. Chair Assembly - Power Transformer, Cords, and Connections

4. To install the back, align the Knock-Down (KD) sleeves in the back with the KD brackets in the chair base, slide the back down on the base. **See figure 3.** Push down on the top of the back to lock the back into position. You will hear a click from each side of the chair to ensure the back is locked in properly.
5. Plug in the Lumbar and Headrest connectors, **See figure 2.** If your model is Headrest Only, you only need to plug in the Headrest.
6. If your model has back wings, align the KD sleeves, and slide the wing down into place, see **figure 4.** Please note there is a label on the brackets. Please assemble them as indicated (*A-A* and *B-B*).
7. Connect the Power Transformer cable to the corresponding plug coming from the back of the chair. **See figure 2.**
8. Connect the Power Cord into the Power Transformer. **See figure 2.**
9. Connect the power cord into an electrical outlet near where the chair will be used.

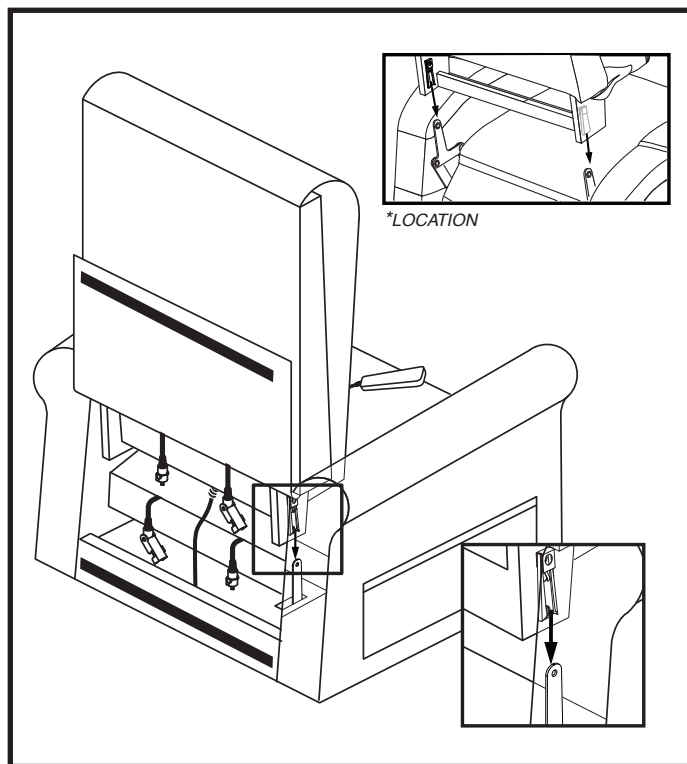


Figure 3. Chair Back Installation

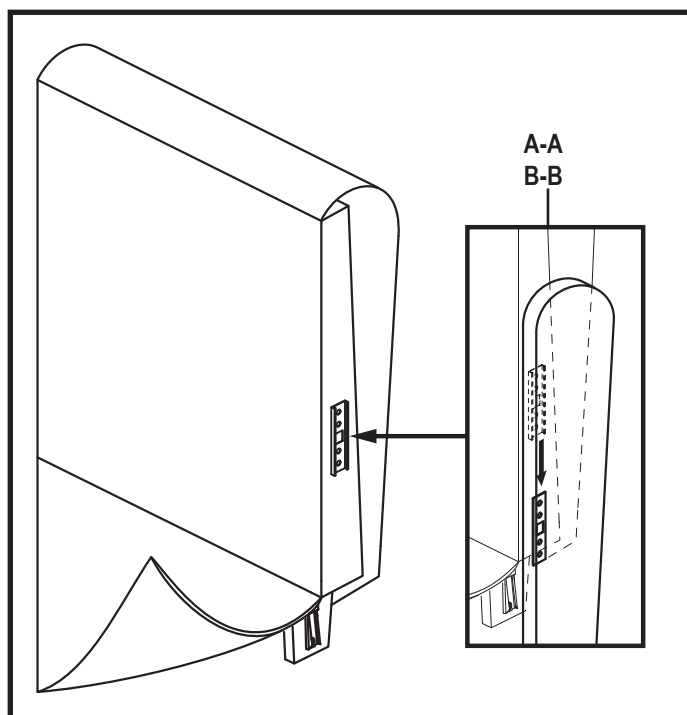


Figure 4. Wing Back Installation

LIFETIME WARRANTY

Mega Motion offers a lifetime warranty on the steel lift mechanism. Mega Motion warrants that the steel lift mechanism on your Lift Chair will be free from defects under normal use and service for as long as the chair is in use by the original owner. This lifetime warranty covers the steel lift mechanism against metal fatigue, defective welds, and bushings.

NOTE: Mega Motion reserves the right to replace only the part of the steel lift mechanism that may be defective.

ONE-YEAR LIMITED WARRANTY

For one (1) year from the date of purchase, Mega Motion will repair or replace at our option to the original purchaser any of the following parts found upon examination by an authorized representative of Mega Motion to be defective in material and/or workmanship:

- Motor
- Hand Control
- Scissor Mechanism
- Transformer/Control Boxes

ONE-YEAR LIMITED WARRANTY

For one (1) year from the date of purchase, Mega Motion will provide labor, service calls, shipping, and/or any other charges incurred for repair of the product. All transportation costs and shipping damage incurred while submitting parts for repair or replacement are the responsibility of Mega Motion. Please contact your authorized retailer for information on service visits.

This warranty covers service necessitated by product failure during normal usage. The warranty specifically does not cover failure due to customer misuse. The manufacturer reserves the right to determine if the cause of the failure is due to misuse. Customer abuse/misuse will void the warranty.

Service is not extended to fabric, buttons, or wear and tear items or issues. Labor does not cover product maintenance and/or adjustments. Only manufacturing defects are covered.

RECONDITIONED UNITS WARRANTY

All reconditioned units are covered by a six-month warranty from Mega Motion effective from the date of purchase.

LITHIUM-ION BATTERY PACK

The lithium-ion battery pack is covered by a twelve (12) month (1 year) warranty.

WARRANTY EXCLUSIONS

This warranty does not extend to fabric and excludes steel frame chairs.

- Circumstances beyond the control of Mega Motion
- Repairs and/or modifications made to any part without specific consent from Mega Motion

Exclusions also include components with damage caused by:

- Contamination
- Abuse, misuse, accident, or negligence
- Battery fluid spillage or leakage
- Commercial use or use other than normal
- Improper operation, maintenance, or storage

IMPLIED WARRANTIES

Implied warranties, including those of merchantability and fitness for a particular purpose, are limited to one (1) year from the date of purchase and to the extent permitted by law. Any and all other implied warranties are excluded. This is the exclusive remedy. Liabilities for consequential damages under any and all warranties are excluded.

Some states do not allow limitations on how long an implied warranty lasts or do not allow the exclusion or limitation of incidental or consequential damages. The above limitation or exclusion may not apply to you.

This warranty gives you specific rights, and you may also have other rights which vary from state to state.

WEIGHT CAPACITY

Your chair was developed for your convenience. Your chair has a weight capacity of 375 lbs. (170 kg). Refer to the owner's manual for any additional information concerning your chair.



MANDATORY! Stay within the specified weight capacity of your lift chair. Exceeding the weight capacity voids your lift chair warranty.

Rev C/December 2023



I N F I N F B 4 0 0 6