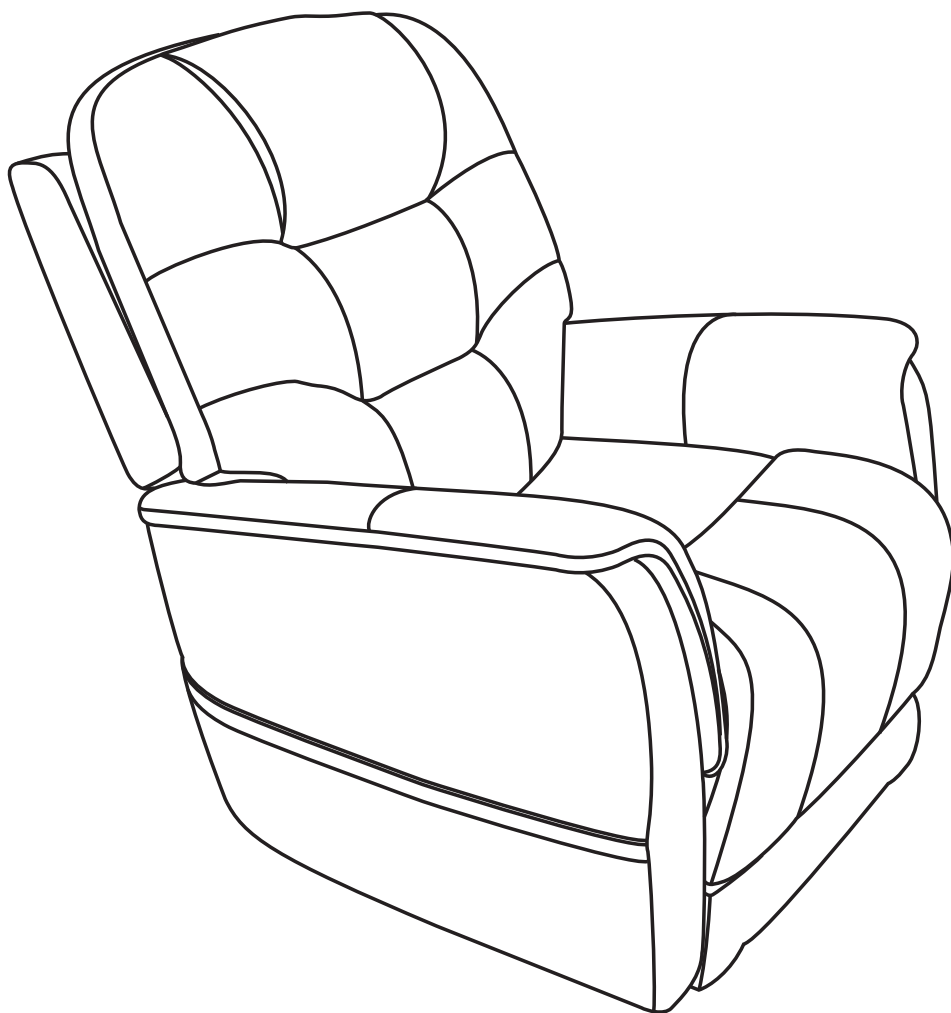


**M** **MEGA**  
**MOTION**<sup>®</sup>  
PRODUCTS FOR **BETTER LIVING**

400 lbs.



Included in this document: Hand Control Reference Guide, Fabric Care, Chair Assembly and Setup, Warranty, and Weight Capacity



ACN 088 609 661



**NOTE:** This quick reference guide offers basic hand control functions, general care instructions, basic assembly information, warranty information, and weight capacity information for your chair. Before operating the chair, thoroughly read the owner's manual and all other supplemental documents for information on safety, basic operation, and care and maintenance.

**NOTE:** The illustration reflects those hand controls with the highest level of functionality.

The premier feature of the Mega Motion®, LLC Power Recliner is that you have the ability to adjust your feet and back to achieve your perfect position.

## HAND CONTROL IDENTIFICATION KEY

### 1. LOCK/UNLOCK BUTTON

Press and hold the Lock/Unlock button for approximately 5 seconds to lock the hand control, the Lock/Unlock button will illuminate when locked. To unlock, press and hold the Lock/Unlock button for approximately 10 seconds, the hand control buttons/LEDs will all flash indicating the hand control has been unlocked and the Lock/Unlock Button will no longer be lit.

### 2. HEADREST IN BUTTON

Press and hold to move headrest in.

### 3. HEADREST OUT BUTTON

Press and hold to move headrest out.

### 4. UP BUTTON

Press and hold to return all chair power options to the neutral position, while lifting you into an upright position.

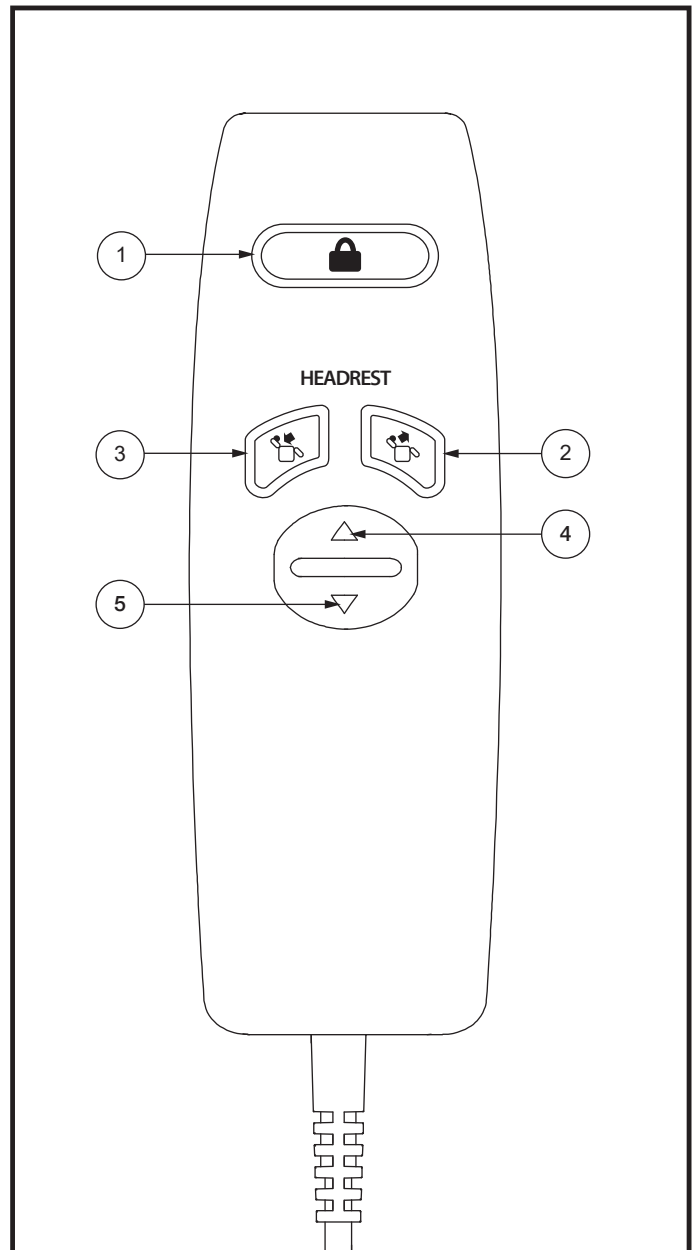
### 5. DOWN BUTTON

Press and hold to lower chair to seated or reclined position.

### Follow these steps to properly stand up from your chair:

1. Activate and hold the UP button (switch) to raise your chair.
2. Release the button (switch) when the chair reaches a height where you can stand up comfortably.

If your chair is equipped with cup holders, ensure the cup holders are empty prior to elevating your chair above a seated position to a standing position. **See figure 2.**



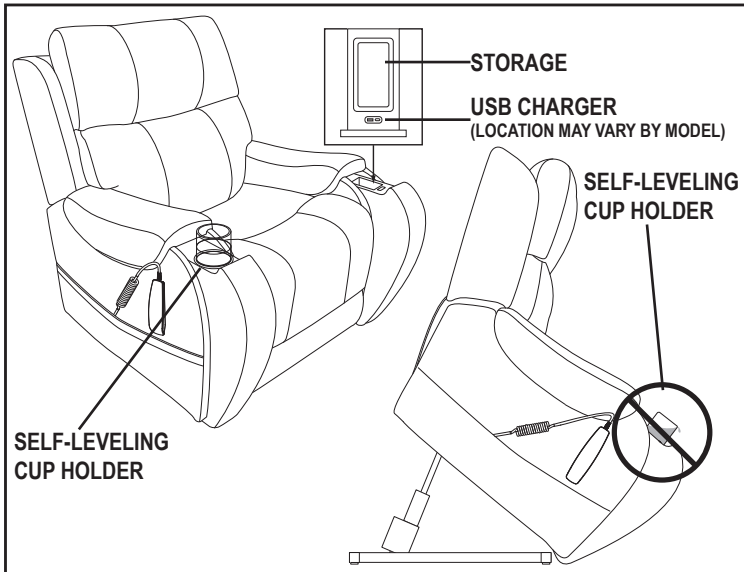
**Figure 1. Hand Control**

**WARNING! Do not attempt to stand up until you can stand safely, are steady on your feet, and can bear weight. Pride recommends the use of assistance aids and/or an attendant for enhanced stability.**



**WARNING! Avoid putting all of your weight on the chair armrests when attempting to stand and do not use the armrests for weight bearing purposes.**

**WARNING! ONLY MFI-certified cables MUST be used when charging iPhone devices equipped with a Lightning Port. Use of any non MFI-certified cable may result in damage to the device or charging system.**



**WARNING! Any contents in the cup holder may shift or spill when the chair is raised. Remove all contents prior to elevating your chair. Failure to remove all contents from the cup holders prior to elevating your chair above a seated position may result in personal injury or property damage.**

**WARNING! NEVER place lit tobacco products in the cup holders/storage or attempt to use the cup holders/storage as an ashtray.**

Figure 2. Self-Leveling Cup Holder, Storage, and USB Charger (IF EQUIPPED)

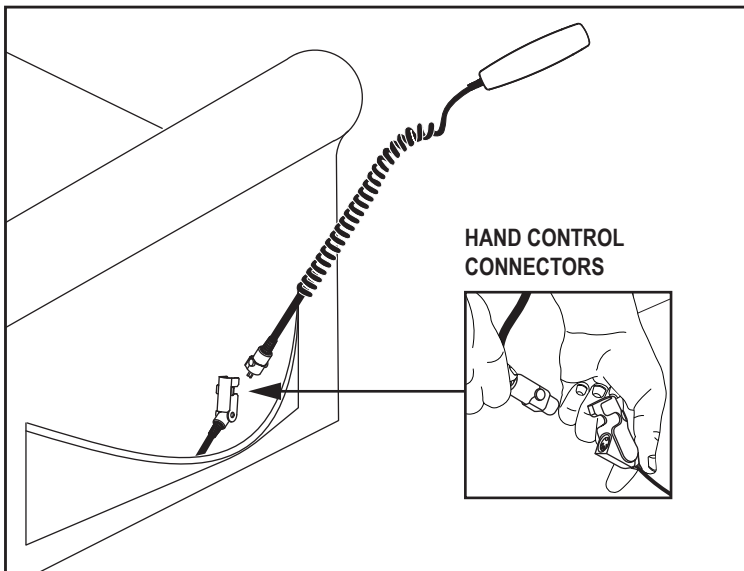


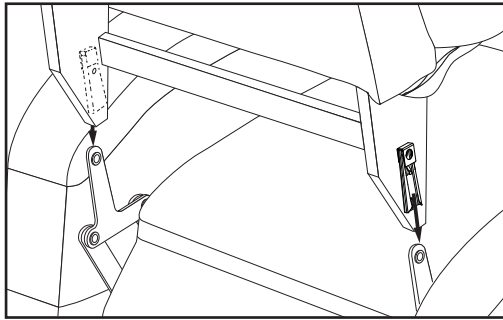
Figure 3. Hand Control Connectors

## FABRIC CARE INSTRUCTIONS

**NOTE:** Refer to the Care and Maintenance section of the owner's supplied with your chair for complete fabric care, electronics care, and disposal and recycling information.

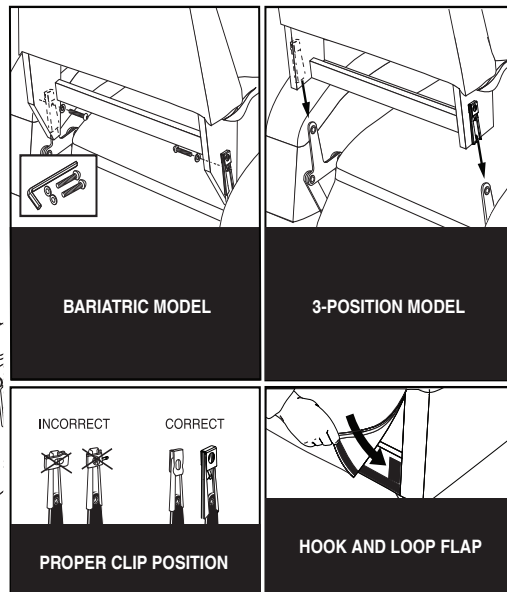
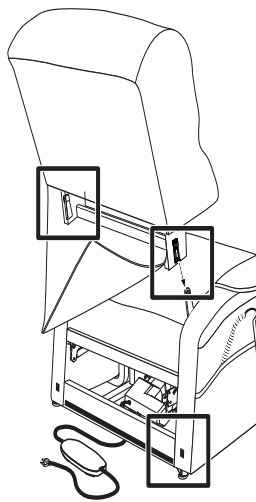
## CHAIR ASSEMBLY AND SETUP

1



1. Unpack the chair and lay the chair back, face down, on the chair base.

2



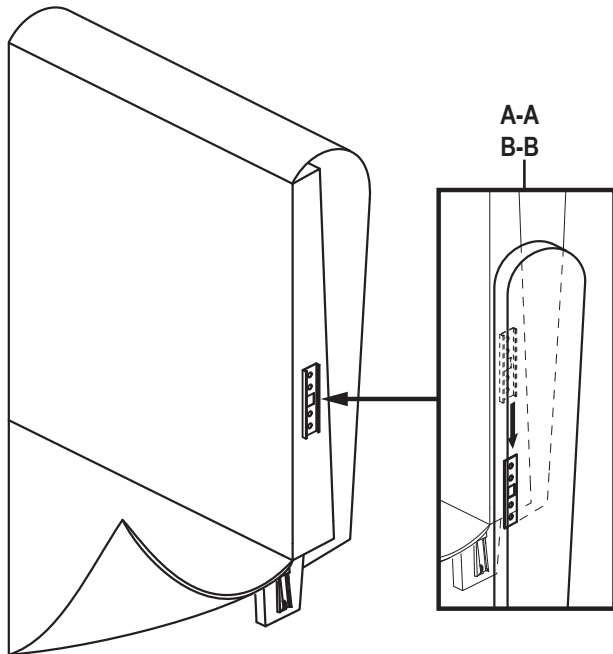
1. Check that the locking clip on the back of the chair is in the vertical position. Reposition if necessary.

**NOTE:** Depending on chair width, you may need to slide on one side of the back at a time. If this is the case, level the chair-back before pressing down to lock into position.

2. Push firmly on the top of the back to lock into position. You must hear a click from each side of the chair to ensure the back is locked in properly.

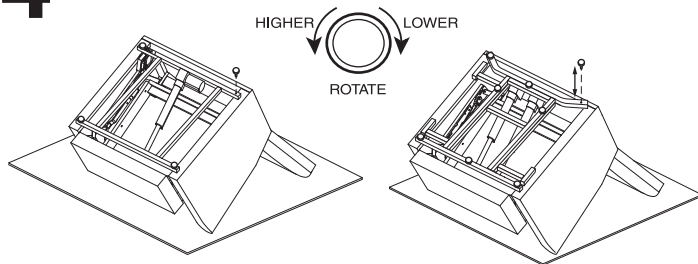
**NOTE:** Pull up on the chair-back to ensure that it is locked in place.

# 3



1. If your model has back wings, align the KD sleeves, and slide the wing down into place. Please note there is a label on the brackets. Please assemble them as indicated (A-A and B-B).
2. Connect the power transformer cable to the corresponding plug coming from the back of the chair.
3. Connect the power cord into the power transformer.
4. Connect the power cord into an electrical outlet near where the chair will be used.

# 4



1. With the chair upside down, insert the leg levelers if not pre-installed, and tighten each leveler evenly. Return the chair to the upright position. If your chair is rocking, adjust the levelers as necessary (tighten to lower or loosen to raise) until the chair is stable.

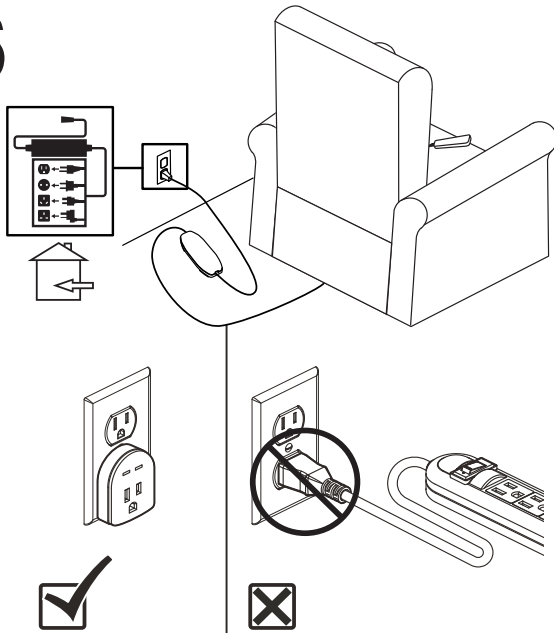
**NOTE:** Depending on your kit and chair model, you may have four leg levelers or eight leg levelers.

### 5



TIP: To ensure quality delivery of your new chair, we have developed a customized packaging system to guard against possible damage that may occur during the transportation and handling of your product. As a result, the packaging components used to protect the product could cause the fibers in the cushioning to appear misshaped upon unpacking. In the event that you experience this, we recommend that you “fluff” the chair cushions to allow air into the cushion fibers. This process will return the cushions to their original shape.

### 6



1. Plug the power cord leading from the external transformer directly into a standard electrical outlet. Route the power cord through the back of the chair. Do not use an extension cord.



**WARNING!** Do not connect an extension cord to the AC/DC converter or the battery charger. A UL Listed or UL Recognized single outlet plug-style surge protector with a minimum of 1000 joules of protection may be used. The surge protector **MUST** be plugged directly into an electrical outlet.



**LIFETIME WARRANTY**

Mega Motion offers a lifetime warranty on the steel lift mechanism. Mega Motion warrants that the steel lift mechanism on your Power Recliner will be free from defects under normal use and service for as long as the chair is in use by the original owner. This lifetime warranty covers the steel lift mechanism against metal fatigue, defective welds, and bushings.

**NOTE: Mega Motion reserves the right to replace only the part of the steel lift mechanism that may be defective.**

**ONE-YEAR LIMITED WARRANTY**

For one (1) year from the date of purchase, Mega Motion will repair or replace at our option to the original purchaser any of the following parts found upon examination by an authorized representative of Mega Motion to be defective in material and/or workmanship:

- Motor
- Hand Control
- Scissor Mechanism
- Transformer/Control Boxes

**ONE-YEAR LIMITED WARRANTY**

For one (1) year from the date of purchase, Mega Motion will provide labor, service calls, shipping, and/or any other charges incurred for repair of the product. All transportation costs and shipping damage incurred while submitting parts for repair or replacement are the responsibility of Mega Motion. Please contact your authorized retailer for information on service visits.

This warranty covers service necessitated by product failure during normal usage. The warranty specifically does not cover failure due to customer misuse. The manufacturer reserves the right to determine if the cause of the failure is due to misuse. Customer abuse/misuse will void the warranty.

Service is not extended to fabric, buttons, or wear and tear items or issues. Labor does not cover product maintenance and/or adjustments. Only manufacturing defects are covered.

**RECONDITIONED UNITS WARRANTY**

All reconditioned units are covered by a six-month warranty from Mega Motion effective from the date of purchase.

**LITHIUM-ION BATTERY PACK**

The lithium-ion battery pack is covered by a twelve (12) month (1 year) warranty.

**WARRANTY EXCLUSIONS**

This warranty does not extend to fabric and excludes steel frame chairs.

- Circumstances beyond the control of Mega Motion
- Repairs and/or modifications made to any part without specific consent from Mega Motion

**Exclusions also include components with damage caused by:**

- Contamination
- Abuse, misuse, accident, or negligence
- Battery fluid spillage or leakage
- Commercial use or use other than normal
- Improper operation, maintenance, or storage

**IMPLIED WARRANTIES**

**Implied warranties, including those of merchantability and fitness for a particular purpose, are limited to one (1) year from the date of purchase and to the extent permitted by law. Any and all other implied warranties are excluded.** This is the exclusive remedy. Liabilities for consequential damages under any and all warranties are excluded.

Some states do not allow limitations on how long an implied warranty lasts or do not allow the exclusion or limitation of incidental or consequential damages. The above limitation or exclusion may not apply to you.

This warranty gives you specific rights, and you may also have other rights which vary from state to state.

Your chair was developed for your convenience. Your chair has a weight capacity of 400 lbs. (181 kg) unless otherwise noted. Refer to the owner's manual for any additional information concerning your chair.



**MANDATORY!** Stay within the specified weight capacity of your Power Recliner. Exceeding the weight capacity voids your Power Recliner warranty.

Rev A/January 2026



I N F I N I T Y B 4 8 7 3