

NOTE: The following information is in addition to the information in the owner’s manual provided with your chair. It explains how to use the Mega Motion®, LLC Media Chair. You must read the owner’s manual and all supplemental information before use. Please retain this information for your records, and contact your provider with any questions.

HAND CONTROL

The illustrations reflect those hand controls with the highest level of functionality. The hand control you receive may have fewer options, but basic functionality is the same.

HAND CONTROL IDENTIFICATION KEY

1. HEADREST IN BUTTON

Press and hold to move headrest in.

2. HEADREST OUT BUTTON

Press and hold to move headrest out.

3. LUMBAR SUPPORT IN BUTTON

Press and hold to move lumbar support in.

4. LUMBAR SUPPORT OUT BUTTON

Press and hold to move lumbar support out.

5. TOGGLE UP

Press and hold to return all chair power options to the neutral position, while lifting you into an upright position.

6. TOGGLE DOWN

Press and hold to lower chair to seated or reclined position.

7. SEATBACK RECLINE BUTTON

Press and hold to recline the seatback.

8. SEATBACK INCLINE BUTTON

Press and hold to raise the seatback.

9. LEG REST DOWN BUTTON

Press and hold to lower the leg rest.

10. LEG REST UP BUTTON

Press and hold to raise the leg rest.

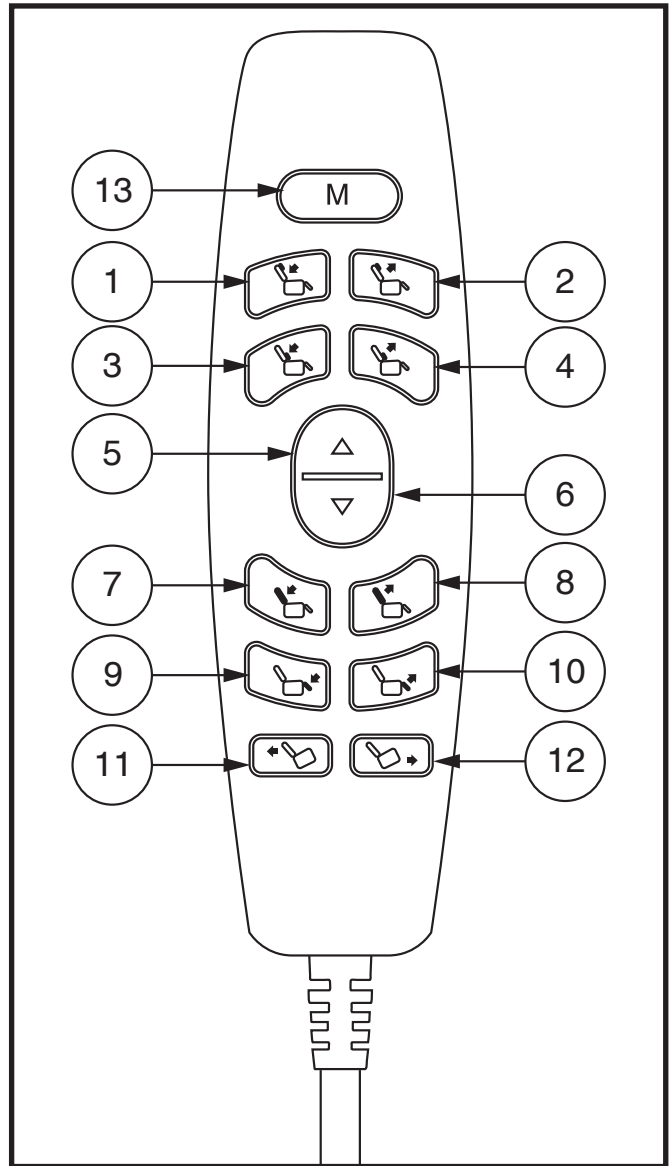


Figure 1. Hand Control



11. TILT REARWARD BUTTON

Press and hold to move your chair to a tilted position.

12. TILT FORWARD BUTTON

Press and hold to return your chair from the tilted position to the upright seated position.

13. MEMORY BUTTON

Adjust your chair into the desired memory position. Press and hold the tilt forward (**see button 12 in figure 1**) and tilt rearward (**see button 11 in figure 1**) until all controller LEDs flash to indicate that the hand control is in “set” mode. Press and hold the memory button to set the memory position. Once set, press and hold the memory button any time to go to the preset position.

NOTE: The memory button light will be dimmer than the rest of the buttons on the hand control.

Follow these steps to properly stand up from your chair:

1. Activate and hold the UP toggle (switch) to raise your chair.
2. Release the toggle (switch) when the chair reaches a height where you can stand up comfortably.

WARNING! Do not attempt to stand up until you can stand safely, are steady on your feet, and can bear weight. Mega Motion recommends the use of assistance aids and/or an attendant for enhanced stability.



WARNING! Avoid putting all of your weight on the chair armrests when attempting to stand and do not use the armrests for weight bearing purposes.

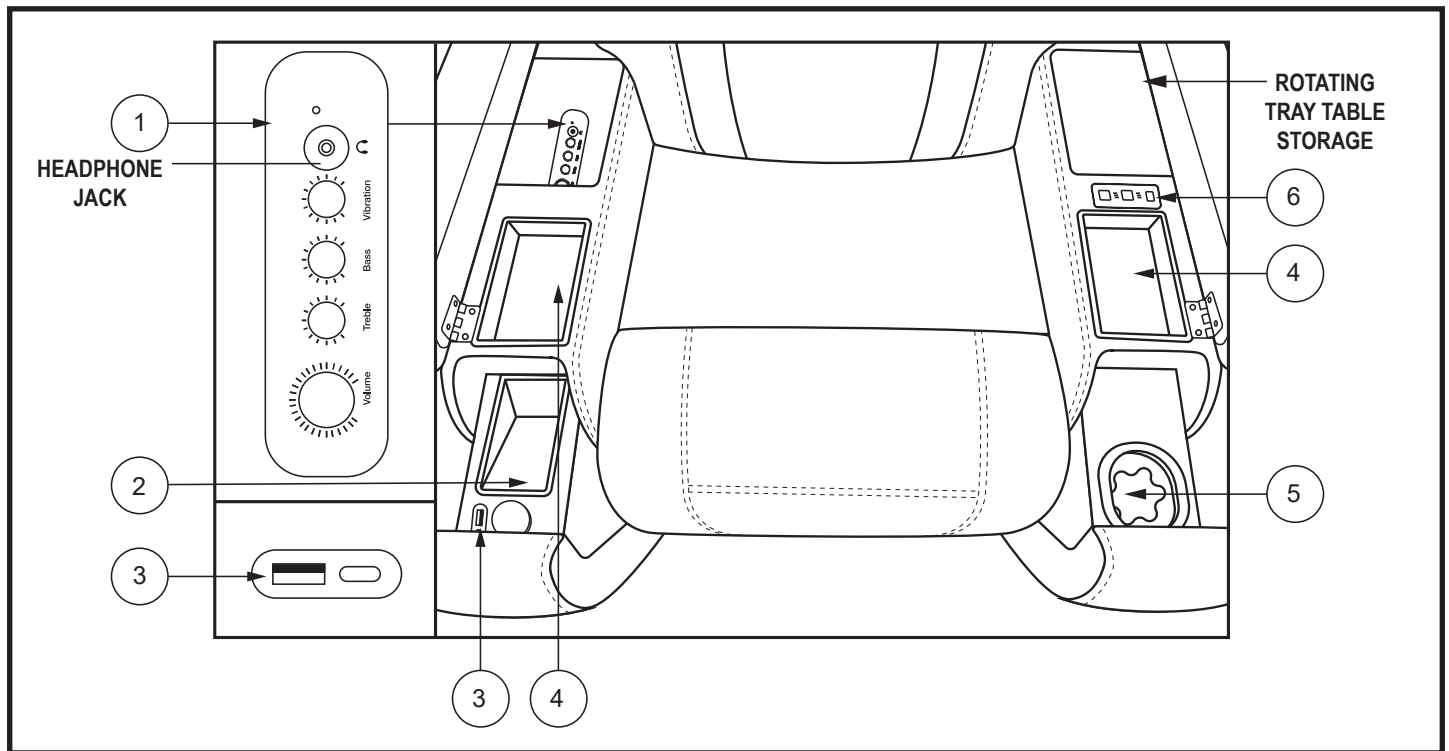


Figure 2. Armrest Features



ARMREST IDENTIFICATION KEY

1. AUDIO CONTROLS AND HEADPHONE JACK

Connect your device to the amplifier via either Bluetooth or aux cable to play audio through the chair speakers. The unit is also equipped with a headphone jack to allow the user to privately listen to audio through their headphones instead of the chair speakers. Turn the corresponding knob to raise or lower the Master Volume, Treble, Bass, and Vibration level. See the QR code below for more detailed set up instructions.

2. WIRELESS CHARGER

The wireless charger was developed for conveniently charging your smartphone. Ensure the screen of your smartphone faces up when it is placed on the charger as shown in **figure 3**.

NOTE: The wireless charger is only compatible with smartphones that have wireless charging capabilities. Additionally, no other smart devices, (e.g., smartwatches) should be used with the wireless charger.

NOTE: Your smartphone must lie flat on the charging surface. You may need to remove your phone case in order to properly position your smartphone for charging.

WARNING! Your smartphone may shift or fall out of the charger when the chair is raised. Remove your smartphone from the wireless charger prior to elevating your chair above a seated position. Failure to do so may result in personal injury and/or property damage.



WARNING! Do not leave your smartphone or any other item in the retractable arm when closing it. Failure to remove items before closing the retractable arm may result in personal injury and/or product damage.

WARNING! NEVER place any item other than a smartphone on the wireless charger. NEVER place any liquid, food, ashtrays, or lit tobacco products in the wireless charger. Doing so may result in personal injury or product damage.

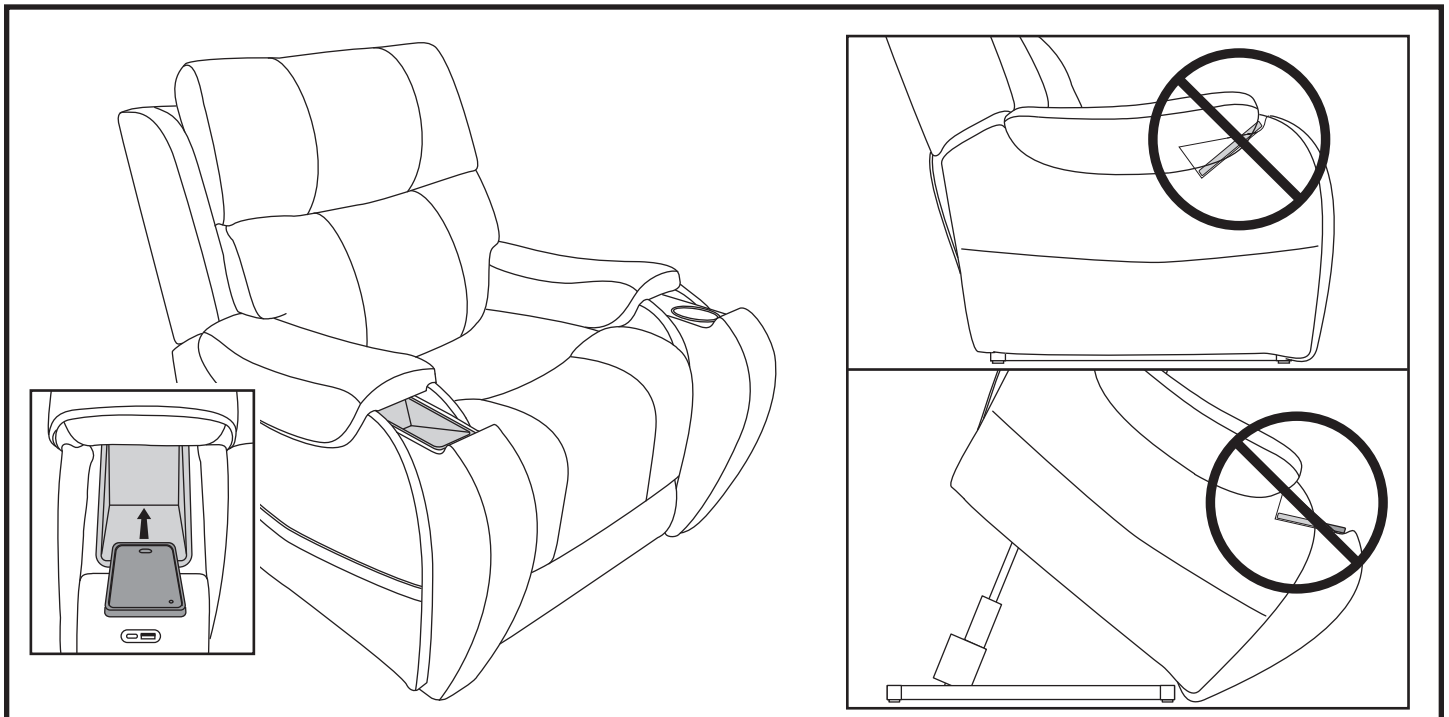


Figure 3. Charging your Smartphone on the Wireless Charger

3. USB TYPE A AND C PORTS

Plug in the corresponding cable to charge your device.

4. STORAGE CONTAINERS

Use to store items as needed.

5. BALANCE CUP HOLDERS

Ensure the cup holders are empty prior to elevating your chair above a seated position to a standing position. **See figure 4.**



WARNING! Any contents in the cup holder may shift or spill when the chair is raised. Remove all contents prior to elevating your chair. Failure to remove all contents from the cup holders prior to elevating your chair above a seated position may result in personal injury or property damage.

WARNING! NEVER place lit tobacco products in the cup holders/storage or attempt to use the cup holders/storage as an ashtray.

TILT FEATURE

Your chair is equipped with a tilt feature. **See figure 5.** Refer to the “Hand Control Identification Key” for operation instructions.



WARNING! Any contents in the cup holder may shift or spill when the chair is in the tilt position. Remove all contents prior to tilting your chair. Failure to remove all contents from the cup holders prior to tilting your chair may result in personal injury or property damage.

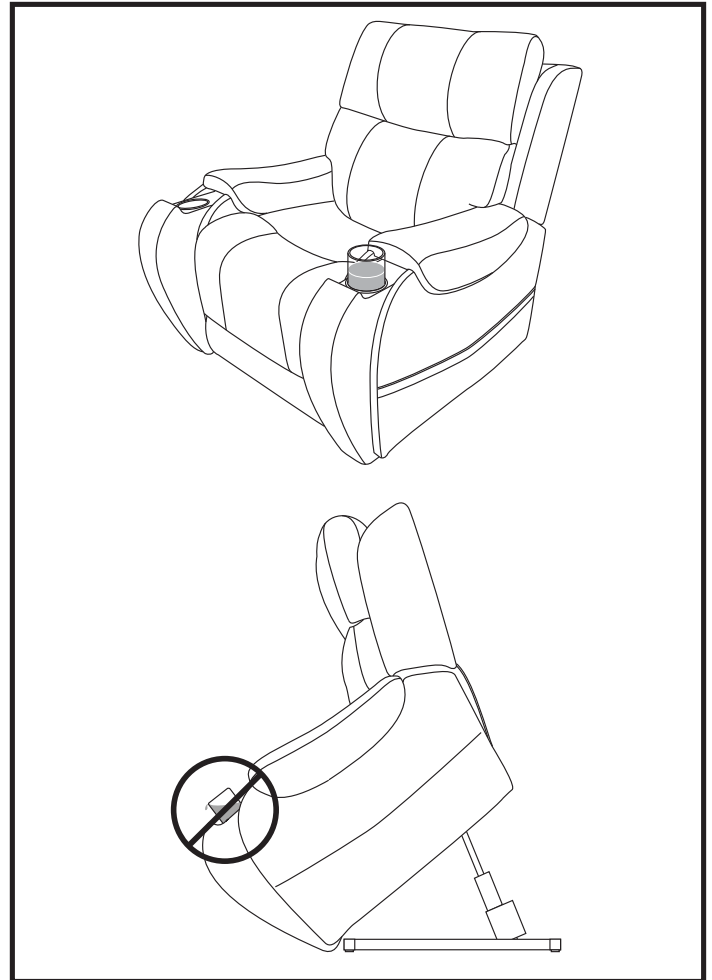


Figure 4. Cup Holders

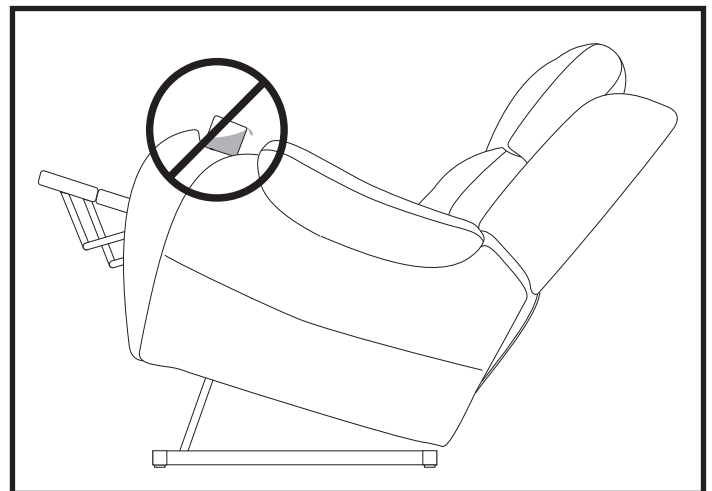


Figure 5. Tilt Position



6. ARMREST HEAT AND MASSAGE CONTROL IDENTIFICATION KEY

Your chair is equipped with easily accessible armrest controls for air bladder massage and heat. **See figure 5.**

POWER BUTTON

Press the power button to turn the armrest control features on and off.

HEAT BUTTON

Press the heat button to activate the heat function. Press again to cycle intensity through low, medium, and high heat.

AIR MESSAGE BUTTON

Press the air massage button to activate the gentle pressure massage function. Press again to cycle through low, medium, and high intensity.

NOTE: The heat/massage function will automatically turn off after 20 minutes and there will be an audible beep.

AUDIO SETUP



Scan the QR code or follow the URL for information on how to setup the audio on your chair.

<https://megamotionrecliners.com/infi-immense-audio-setup-instructions.asp>

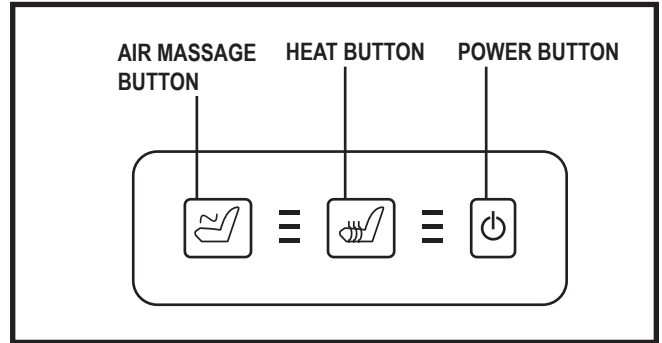


Figure 6. Armrest Heat and Massage Control



